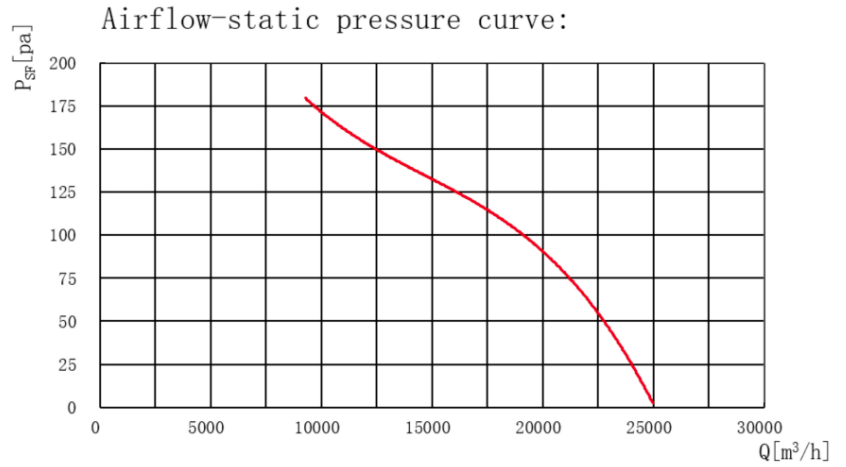
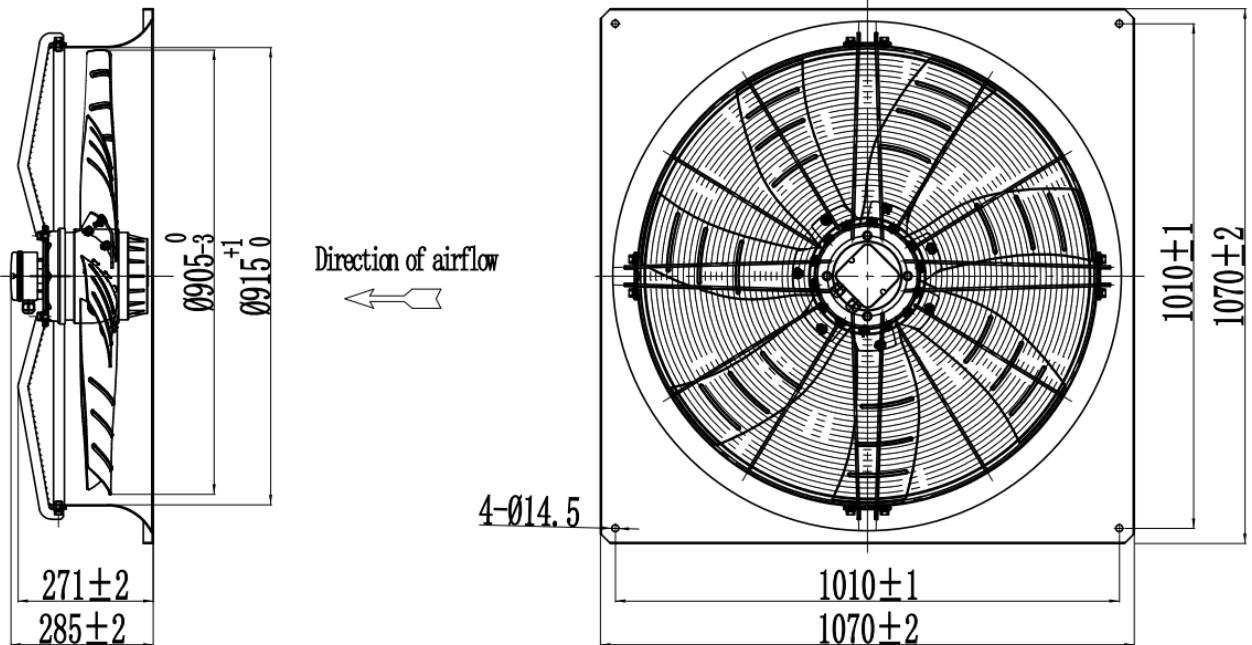


AC AXIAL FAN Ø910 6 POLE



Product Characteristic

Motor technology:	AC Outer rotor
Mode of Operation:	S1
Protection Class:	IP54
Insulation Class:	F
Bearings:	Maintenance-free ball bearings
Blades Material:	Cold rolled sheet steel
Blades count:	7
Air direction:	seen on the leads



Model	Code	Voltage (V)	Frequency (Hz)	Input Power (W)	Current (A)	Air Volume (m³/h)	Speed (r/min)	Noise [[dB(A)]	Max Environmental Temperature (°C)	Weight (Kg)
YWF(K)6D910-Z	Z06D910	400	50	2450	4.7	25000	870	85	50	65

Air Flow "S" = Suck