

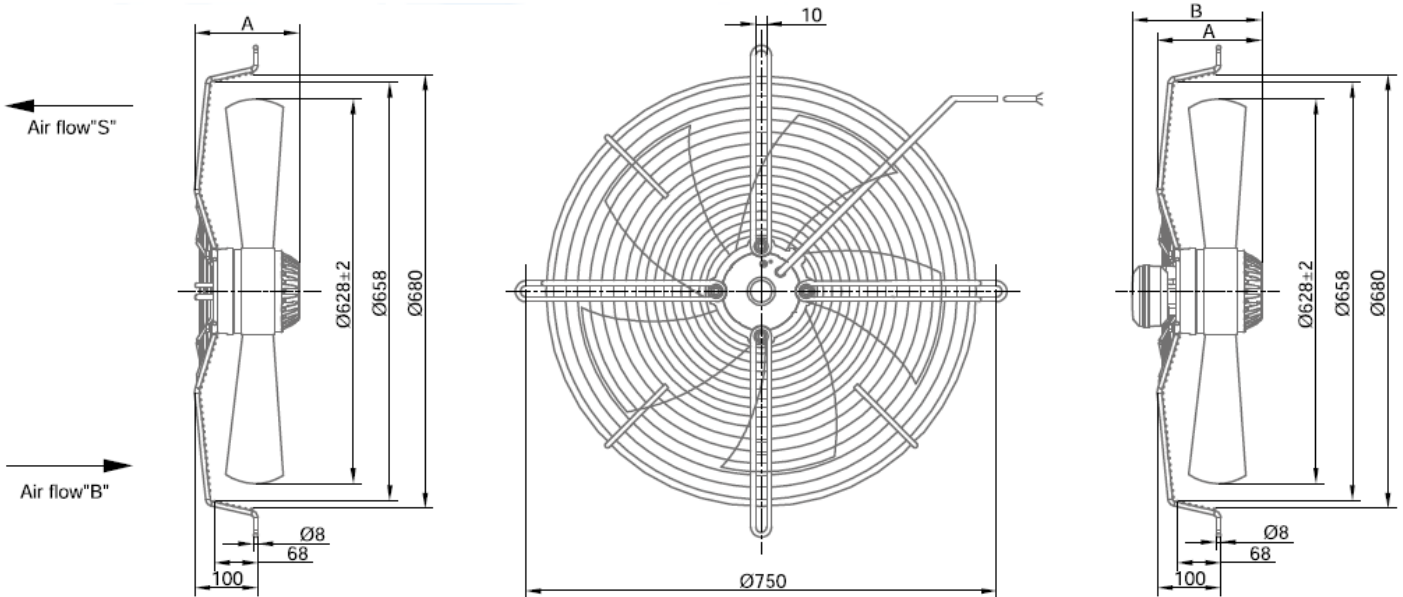
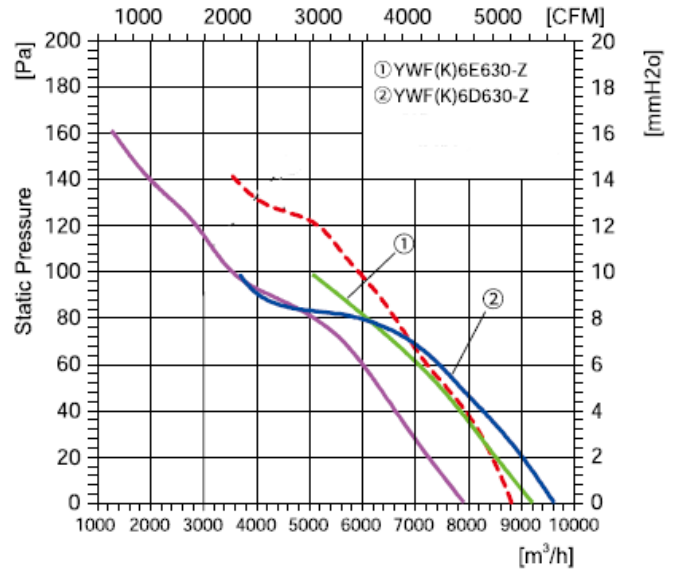
AC AXIAL FAN Ø630 6 POLE



Product Characteristic

Motor technology: AC Outer rotor
 Mode of Operation: S1
 Protection Class: IP54
 Insulation Class: B/F
 Bearings: Maintenance-free ball bearings
 Blades Material: Cold rolled sheet steel
 Blades count: 5
 Air direction: seen on the leads

Flow Rate Curve



Model	Code	Voltage (V)	Frequency (Hz)	Input Power (W)	Current (A)	Air Volume (m³/h)	Speed (r/min)	Capacitor (µF)	Noise [(dB(A)]	Max Environmental Temperature (°C)	Weight (Kg)		
											A	B	
YWF(K)6E630-Z	ZO6E630	230	50	500	2.2	9600	930	14	75	50	15.0	181	221
YWF(K)6D630-Z	ZO6D630	380	50	550	1.57	9580	920	-	75	50	15.0	181	221

Air Flow "B" = Blow "S" = Suck Needs to be specified when ordering