

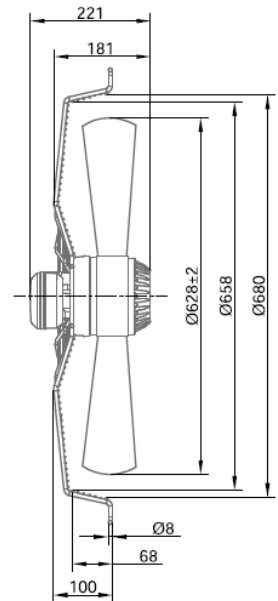
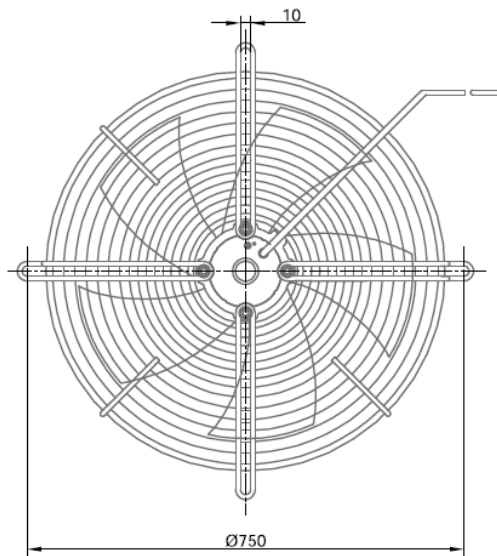
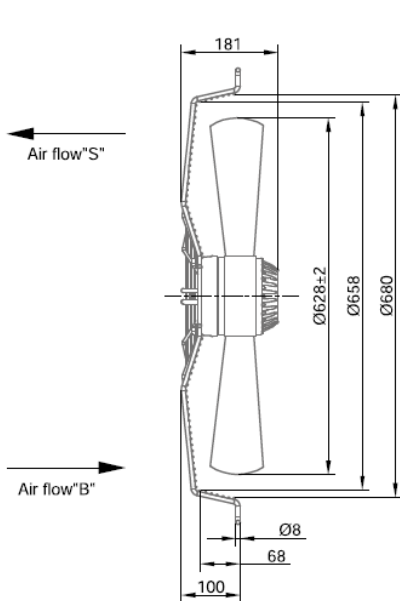
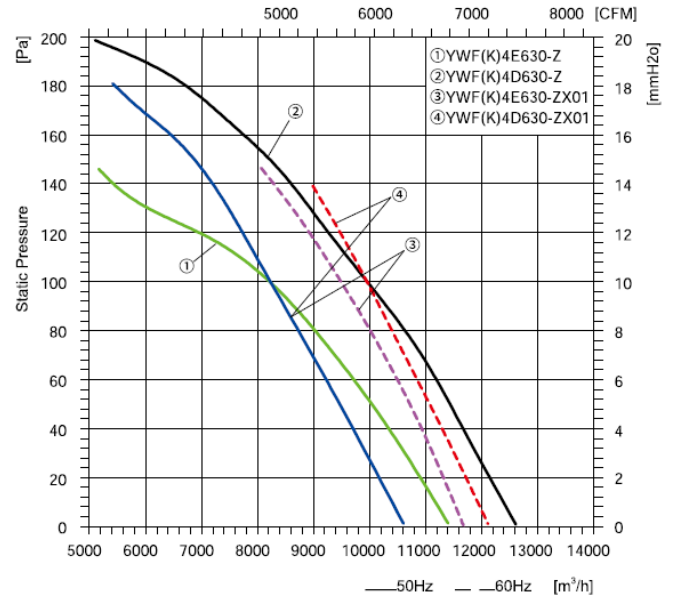
AC AXIAL FAN Ø630 4 POLE



Product Characteristic

Motor technology: AC Outer rotor
 Mode of Operation: S1
 Protection Class: IP54
 Insulation Class: B/F
 Bearings: Maintenance-free ball bearings
 Blades Material: Cold rolled sheet steel
 Blades count: 5
 Air direction: seen on the leads

Flow Rate Curve



| Model | Code | Voltage (V) | Frequency (Hz) | Input Power (W) | Current (A) | Air Volume (m³/h) | Speed (r/min) | Capacitor (µF) | Noise [(dB(A))] | Max Environmental Temperature (°C) | Weight (Kg) |
|---------------|---------|-------------|----------------|-----------------|-------------|-------------------|---------------|----------------|-----------------|------------------------------------|-------------|
| YWF(K)4E630-Z | ZO4E630 | 230 | 50 | 810 | 3.5 | 12500 | 1315 | 16 | 78 | 50 | 15.0 |
| YWF(K)4D630-Z | ZO4D630 | 380 | 50 | 860 | 1.95 | 13000 | 1365 | - | 81 | 50 | 15.0 |

Air Flow "B" = Blow "S" = Suck Needs to be specified when ordering