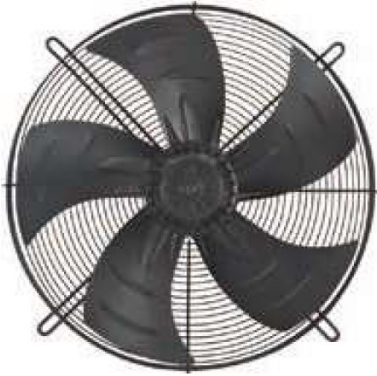


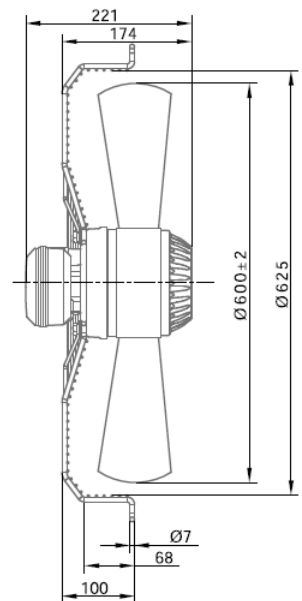
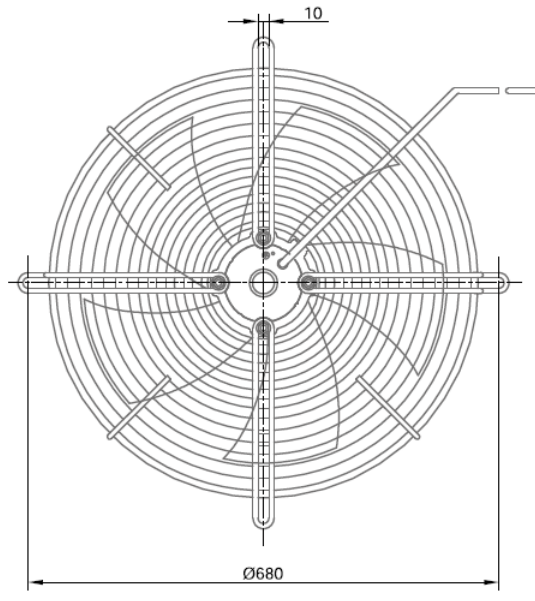
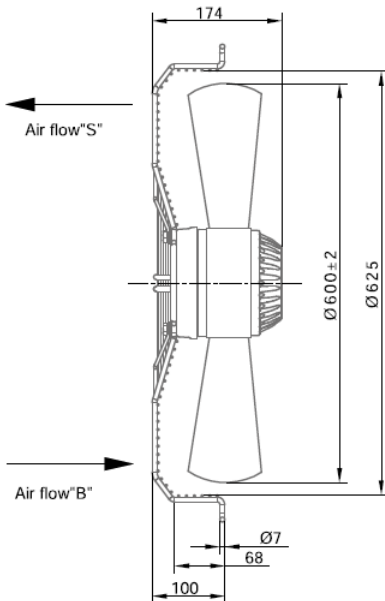
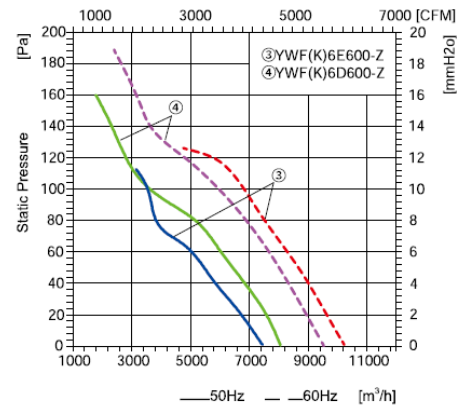
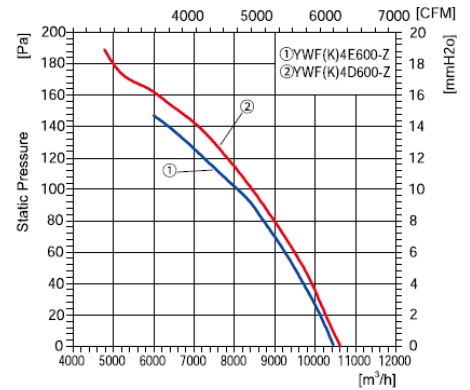
AC AXIAL FAN Ø600



Product Characteristic

Motor technology: AC Outer rotor
 Mode of Operation: S1
 Protection Class: IP54
 Insulation Class: B/F
 Bearings: Maintenance-free ball bearings
 Blades Material: Cold rolled sheet steel
 Blades count: 5
 Air direction: seen on the leads

Flow Rate Curve



Model	Code	Voltage (V)	Frequency (Hz)	Input Power (W)	Current (A)	Air Volume (m³/h)	Speed (r/min)	Capacitor (µF)	Noise [(dB(A)]	Max Environmental Temperature (°C)	Weight (Kg)
YWF(K)4E600-Z	ZO4E600	230	50	810	3.5	10300	1315	16	76	50	15.0
YWF(K)4D600-Z	ZO4D600	380	50	860	1.95	10800	1365	-	79	50	15.0
YWF(K)6E600-Z	ZO6E600	230	50	500	2.2	7500	900	14	70	50	15.0
YWF(K)6D600-Z	ZO6D600	380	50	550	1.57	8100	920	-	70	50	15.0

Air Flow "B" = Blow "S" = Suck Needs to be specified when ordering