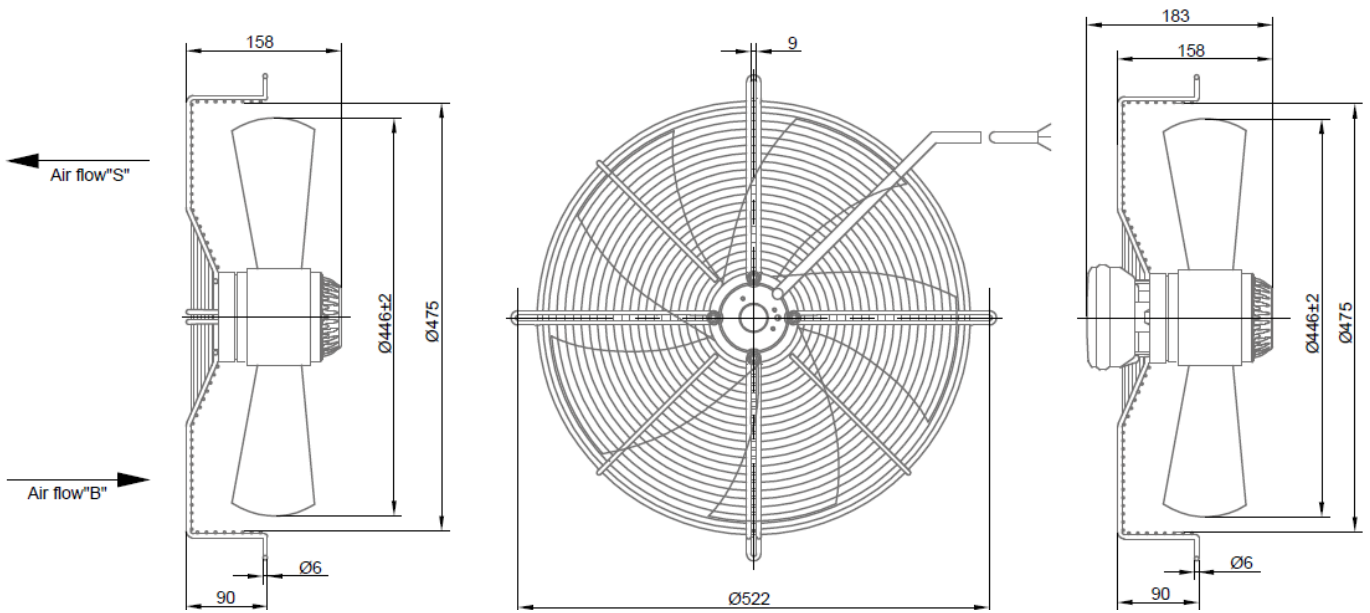
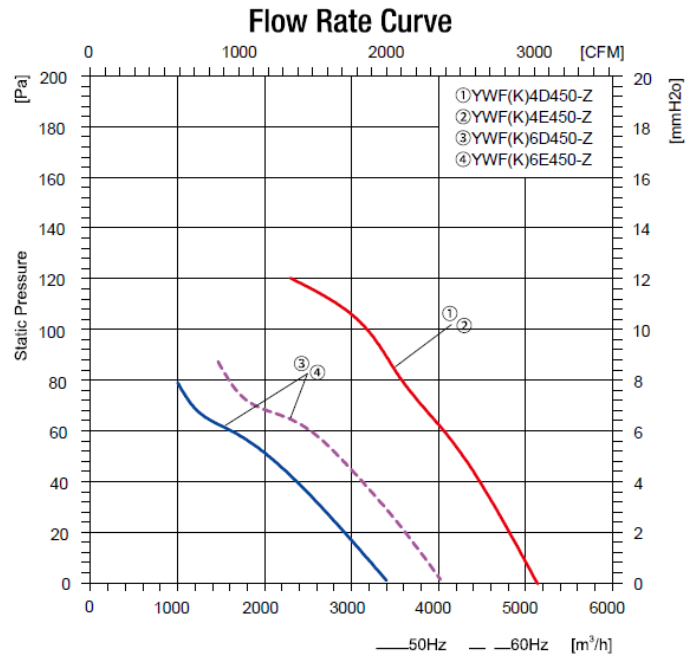


AC AXIAL FAN Ø450



Product Characteristic

Motor technology: AC Outer rotor
 Mode of Operation: S1
 Protection Class: IP54
 Insulation Class: B/F
 Bearings: Maintenance-free ball bearings
 Blades Material: Cold rolled sheet steel
 Blades count: 5
 Air direction: seen on the leads



Model	Code	Voltage (V)	Frequency (Hz)	Input Power (W)	Current (A)	Air Volume (m³/h)	Speed (r/min)	Capacitor (µF)	Noise [(dB(A)]	Max Environmental Temperature (°C)	Weight (Kg)
YWF(K)4E450-Z	ZO4E450	230	50	250	1.15	5100	1380	8	71	55	6.9
YWF(K)4D450-Z	ZO4D450	380	50	250	0.58	5000	1400	-	68	55	6.9
YWF(K)6E450-Z	ZO6E450	230	50	150	0.68	3450	900	4	60	55	6.9
YWF(K)6D450-Z	ZO6D450	380	50	150	0.48	3450	930	-	62	55	6.9

Air Flow "B" = Blow "S" = Suck Needs to be specified when ordering