

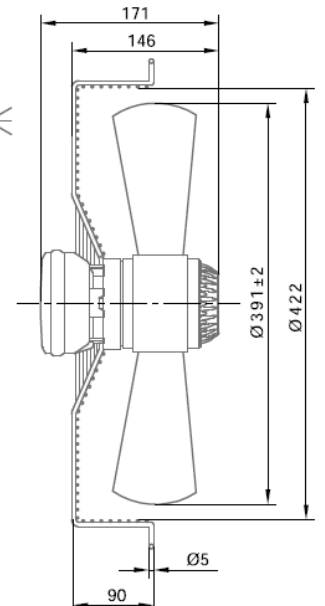
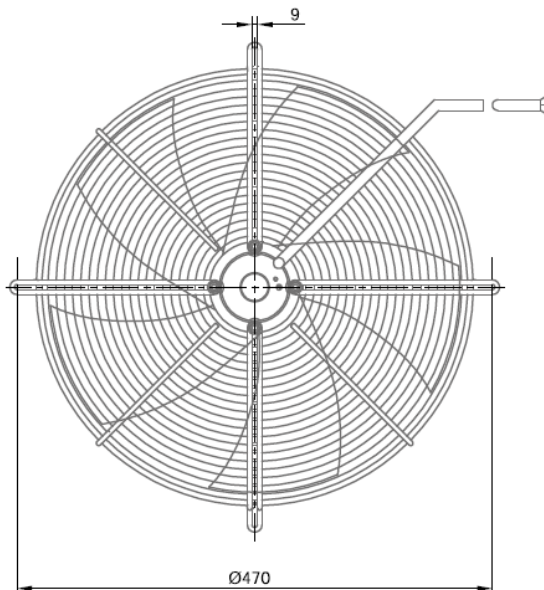
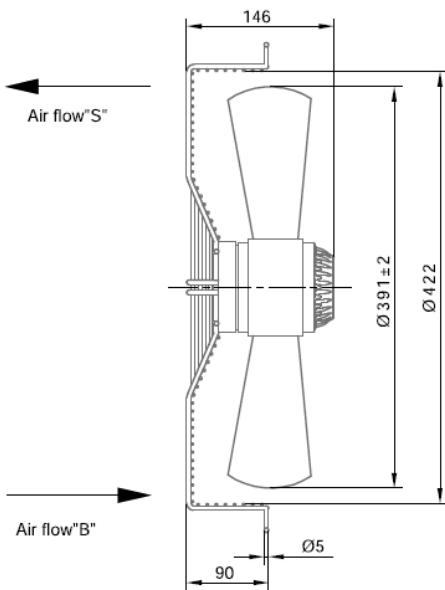
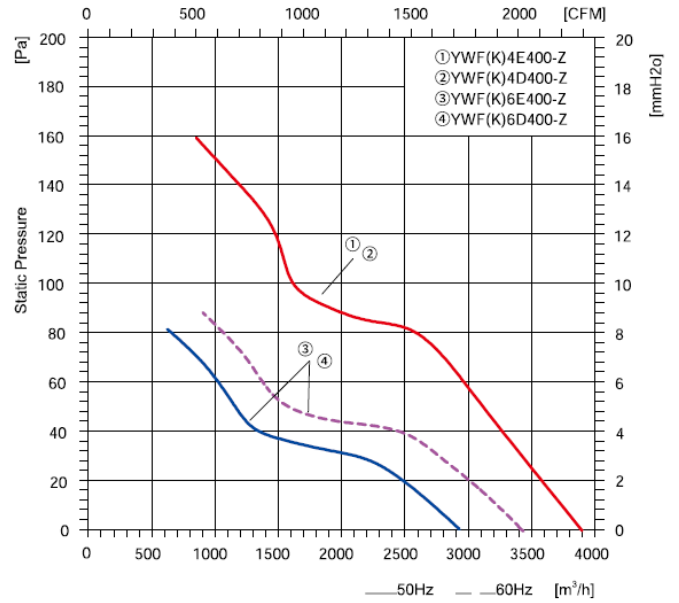
# AC AXIAL FAN Ø400



## Product Characteristic

Motor technology: AC Outer rotor  
 Mode of Operation: S1  
 Protection Class: IP54  
 Insulation Class: B/F  
 Bearings: Maintenance-free ball bearings  
 Blades Material: Cold rolled sheet steel  
 Blades count: 5  
 Air direction: seen on the leads

Flow Rate Curve



Model	Code	Voltage (V)	Frequency (Hz)	Input Power (W)	Current (A)	Air Volume (m³/h)	Speed (r/min)	Capacitor (µF)	Noise [(dB(A)]	Max Environmental Temperature (°C)	Weight (Kg)
YWF(K)4E400-Z	ZO4E400	230	50	180	0.81	3900	1350	6	67	65	6.1
YWF(K)4D400-Z	ZO4D400	380	50	190	0.48	3900	1380	-	67	65	6.1
YWF(K)6E400-Z	ZO6E400	230	50	115	0.67	2900	940	3	58	60	6.1
YWF(K)6D400-Z	ZO6D400	380	50	115	0.36	2900	900	-	60	60	6.1

Air Flow "B" = Blow "S" = Suck Needs to be specified when ordering