

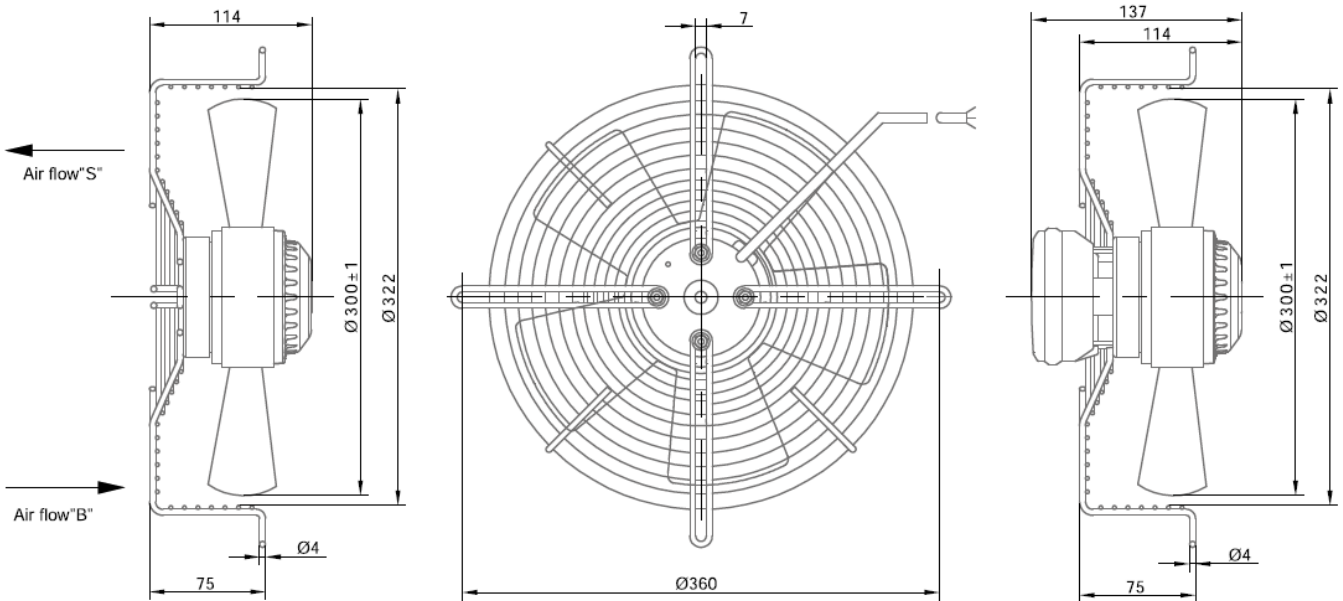
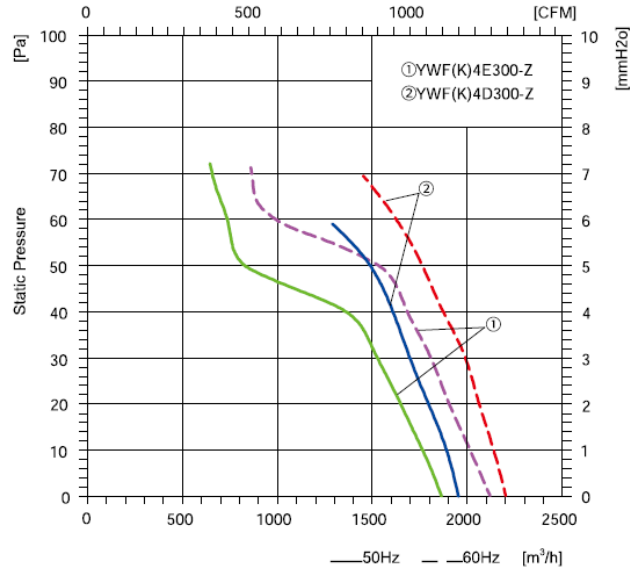
# AC AXIAL FAN Ø300 4P



## Product Characteristic

Motor technology: AC Outer rotor  
 Mode of Operation: S1  
 Protection Class: IP54  
 Insulation Class: B/F  
 Bearings: Maintenance-free ball bearings  
 Blades Material: Cold rolled sheet steel  
 Blades count: 5  
 Air direction: seen on the leads

Flow Rate Curve



Model	Code	Voltage (V)	Frequency (Hz)	Input Power (W)	Current (A)	Air Volume (m <sup>3</sup> /h)	Speed (r/min)	Capacitor (µF)	Noise [(dB(A)]	Max Environmental Temperature (°C)	Weight (Kg)
YWF(K)4E300-Z	ZO4E300	230	50	90	0.38	1900	1370	3	55	65	3.2
YWF(K)4D300-Z	ZO4D300	380	50	95	0.26	1950	1400	-	55	65	4.0

Air Flow "B" = Blow "S" = Suck Needs to be specified when ordering