

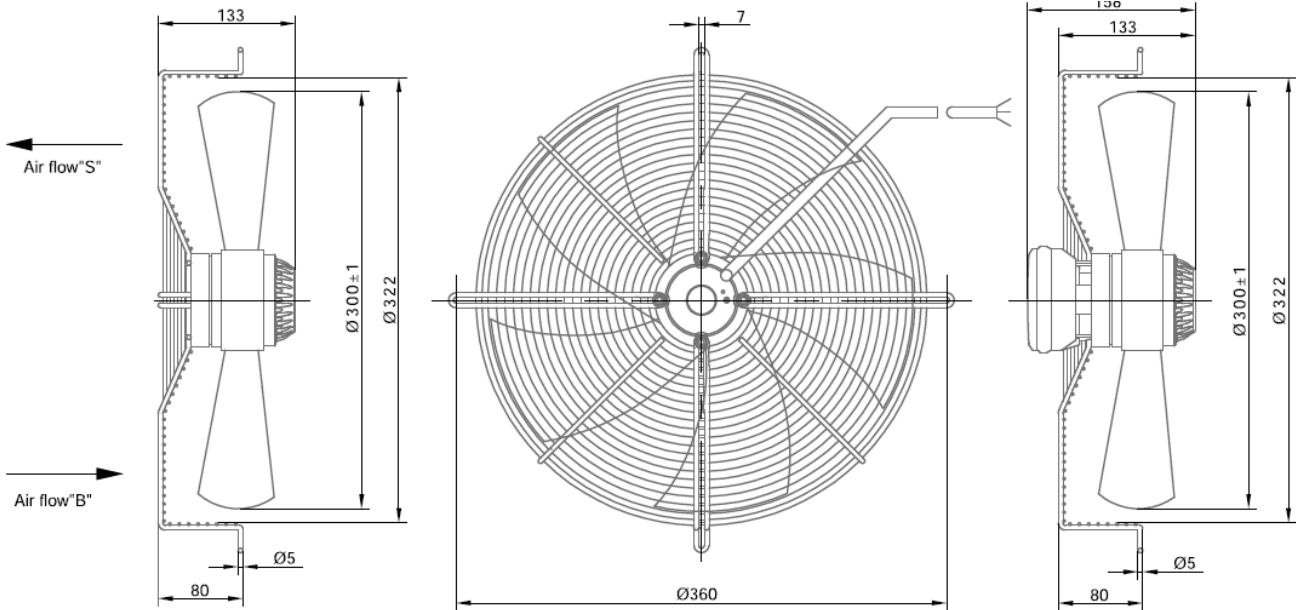
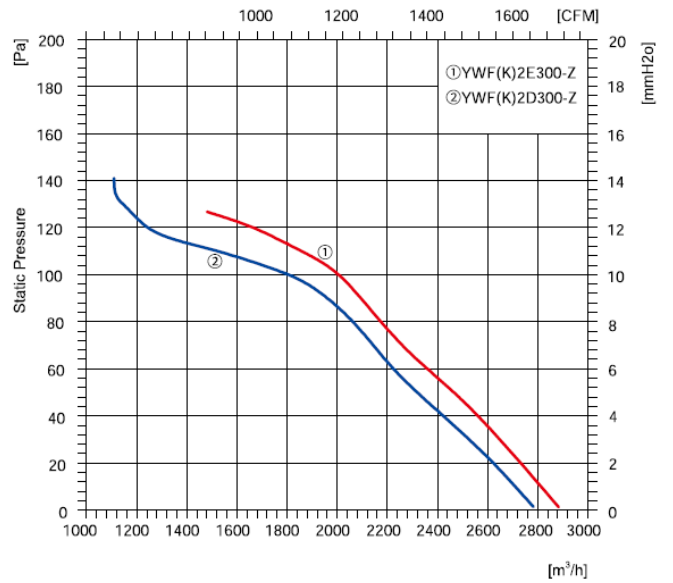
AC AXIAL FAN Ø300 2P



Product Characteristic

Motor technology: AC Outer rotor
 Mode of Operation: S1
 Protection Class: IP54
 Insulation Class: B/F
 Bearings: Maintenance-free ball bearings
 Blades Material: Cold rolled sheet steel
 Blades count: 5
 Air direction: seen on the leads

Flow Rate Curve



Model	Code	Voltage (V)	Frequency (Hz)	Input Power (W)	Current (A)	Air Volume (m³/h)	Speed (r/min)	Capacitor (µF)	Noise [(dB(A)]	Max Environmental Temperature (°C)	Weight (Kg)
YWF(K)2E300-Z	ZO2E300	230	50	250	1.1	3000	2530	6	70	65	4.7
YWF(K)2D300-Z	ZO2D300	380	50	250	0.45	3000	2500	-	72	65	4.7

Air Flow "B" = Blow "S" = Suck Needs to be specified when ordering