

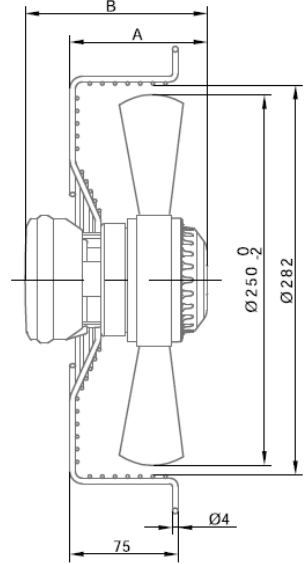
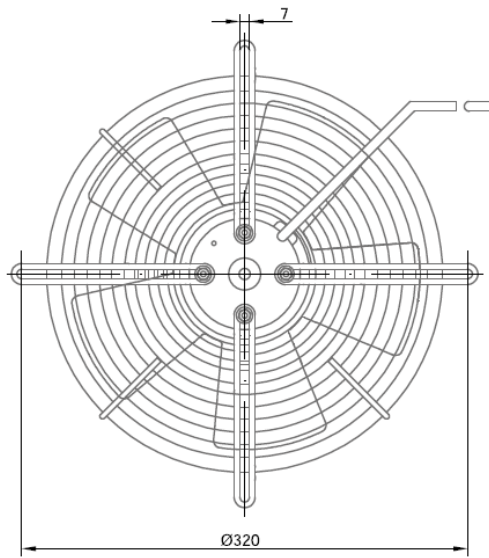
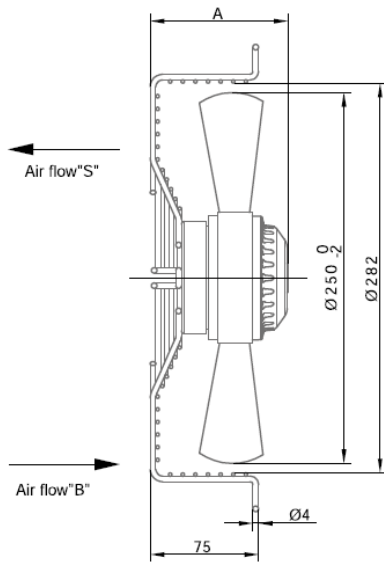
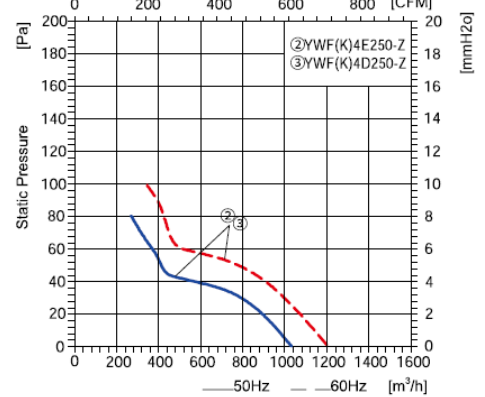
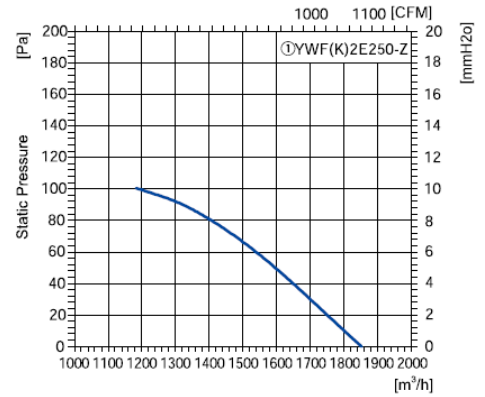
AC AXIAL FAN Ø250



Product Characteristic

Motor technology: AC Outer rotor
 Mode of Operation: S1
 Protection Class: IP54
 Insulation Class: B/F
 Bearings: Maintenance-free ball bearings
 Blades Material: Cold rolled sheet steel
 Blades count: 5
 Air direction: seen on the leads

Flow Rate Curve



Model	Code	Voltage (V)	Frequency (Hz)	Input Power (W)	Current (A)	Air Volume (m³/h)	Speed (r/min)	Capacitor (µF)	Noise [[dB(A)]]	Max Environmental Temperature (°C)	Weight (Kg)	A	B
YWF(K)2E250-Z	ZO2E250	230	50	180	0.78	1800	2500	4	68	65	3.0	102	134
YWF(K)4E250-Z	ZO4E250	230	50	50	0.22	1000	1380	1.5	50	75	2.5	94	126
YWF(K)4D250-Z	ZO4D250	380	50	60	0.13	1000	1350	-	50	75	2.7	94	126

Air Flow "B" = Blow "S" = Suck Needs to be specified when ordering