

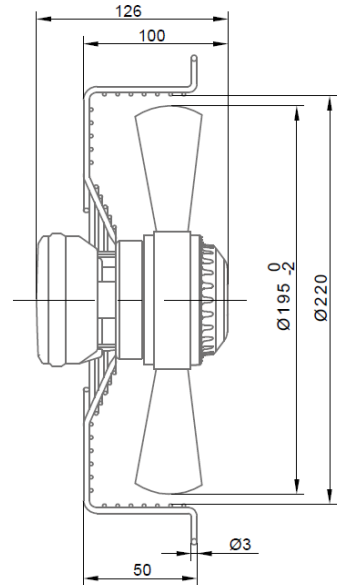
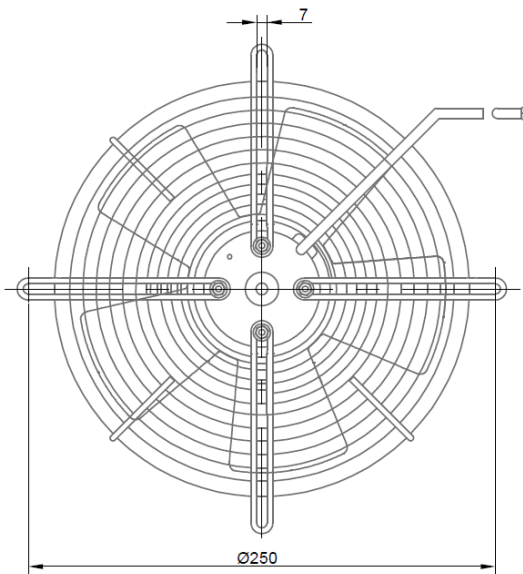
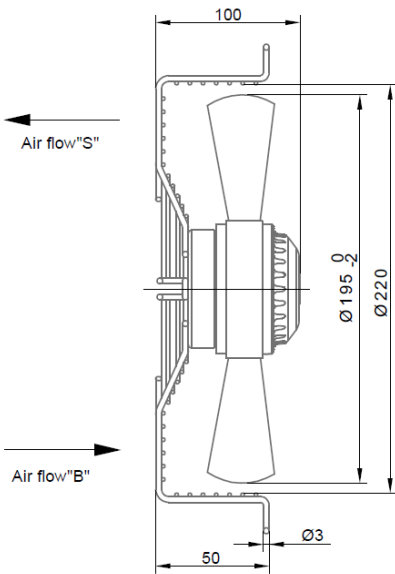
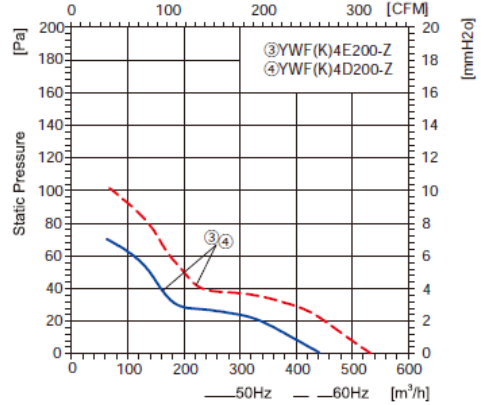
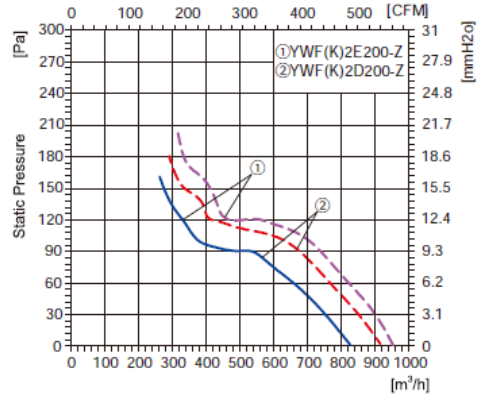
AC AXIAL FAN Ø200



Product Characteristic

Motor technology: AC Outer rotor
 Mode of Operation: S1
 Protection Class: IP54
 Insulation Class: B/F
 Bearings: Maintenance-free ball bearings
 Blades Material: Cold rolled sheet steel
 Blades count: 5
 Air direction: seen on the leads

Flow Rate Curve



Model	Code	Voltage (V)	Frequency (Hz)	Input Power (W)	Current (A)	Air Volume (m³/h)	Speed (r/min)	Capacitor (µF)	Noise [(dB(A))]	Max Environmental Temperature (°C)	Weight (Kg)
YWF(K)2E200-Z	ZO2E200	230	50/60	80/95	0.35/0.42	870/1000	2700/3200	2	60/65	65	1.9
YWF(K)2D200-Z	ZO2D200	380	50/60	70/90	0.16	870/1000	2650/3000	1.5	60/64	75	1.9
YWF(K)4E200-Z	ZO4E200	230	50/60	29/38	0.12/0.17	450/560	146/1750	1	48/51	75	1.9
YWF(K)4D200-Z	ZO4D200	380	50/60	50/44	0.12	450/530	1450/1750	-	48/53	60	1.9

Air Flow "B" = Blow "S" = Suck Needs to be specified when ordering