

KURT MAIER FORCED VENTILATION UNIT

STANDARD SERIES CONNECTION



FBI MW, IP66 Mb.0M / 1M

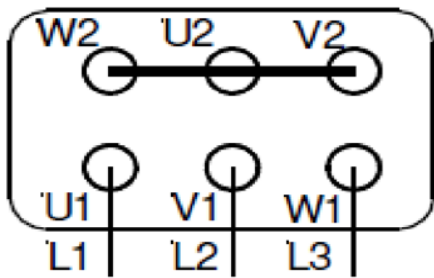
Connection Table Forced Ventilation Unit MW, IP66 Mb.0M / 1M

Attention! This motor is tested against body current with 2200V, 30mA following VDE! If a further test is carried out at client, it must not exceed 1000V in order to prevent winding damage!

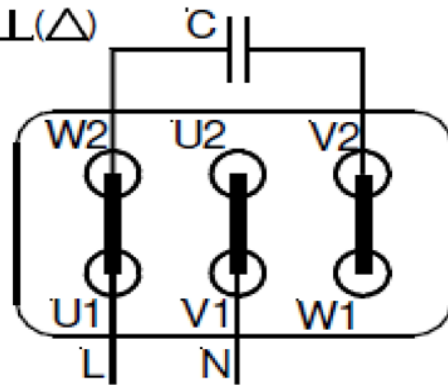
Three phase motor

Three phase motor in single phase connection acc. to „Steinmetz“

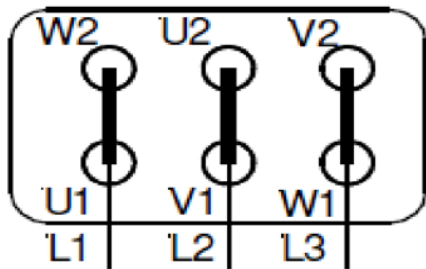
3~



1~ L(Δ)



3~ Δ



U1	(T1)	schwarz	black	noire	nero	negro
V1	(T2)	blau	blue	bleue	azzurro	azul
W1	(T3)	braun	brown	brune	marrone	márron
U2	(T4)	grün	green	verde	verde	verde
V2	(T5)	weiß	white	blanche	bianco	blanco
W2	(T6)	gelb	yellow	jaune	giallo	amarillo
⊕		grün-gelb	green-yellow	verde-jaune	verde-giallo	verde-amarillo
C		Kondensator	Capacitor	Condensateur	condensatori	condensatore

! Bitte Drehrichtung vom Flügel beachten / Please check the rotational direction of the impeller !

All data is subject to confirmation by RMS



Hamilton Ph 07 847 3374 sales@rotatingmachinery.co.nz Christchurch Ph 03 6663374 chchsales@rotatingmachinery.co.nz