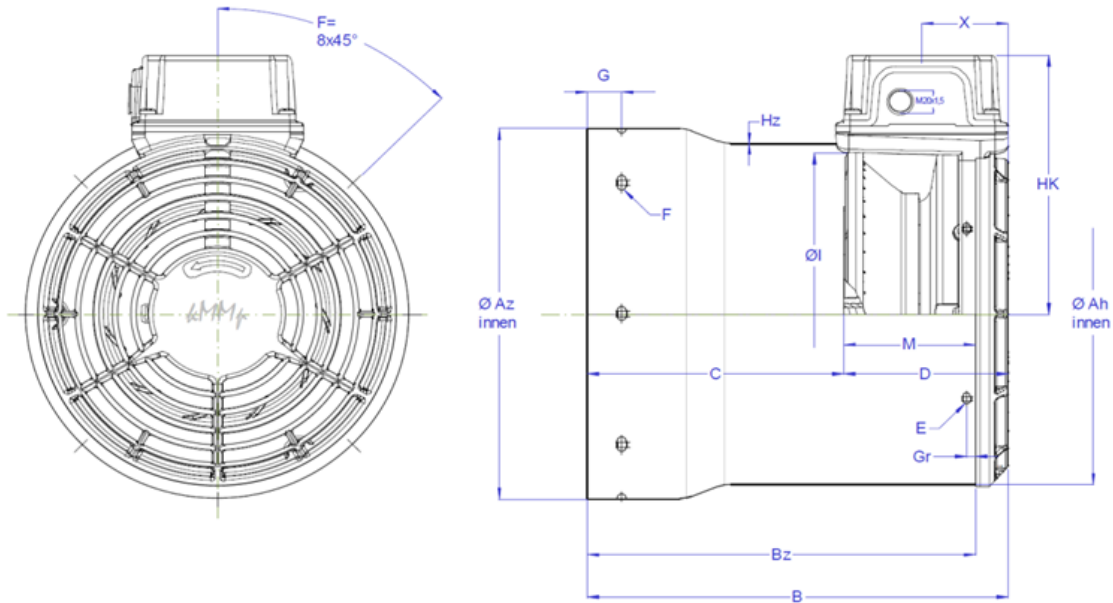


# KURT MAIER FORCED VENTILATION UNIT

## STANDARD SERIES



Frame Size	Air Volume	Input	Speed	Fan Current		Noise Level	Weight	Product Code
	m <sup>3</sup> /h	W	U/min	A (50Hz)	A (60Hz)	dB	kg	
FBI 063 AH	89 / 99	43 / 44	2800 / 3250	0.15/0.17/0.09	0.14/0.15/0.08	49 / 52	2.7	KMCK063
FBI 071 AH	123 / 133	46 / 47	2700 / 3080	0.15/0.17/0.09	0.15/0.15/0.08	51 / 53	2.8	KMCK071
FBI 080 AH	168 / 178	46 / 48	2600 / 2900	0.15/0.17/0.08	0.15/0.15/0.08	54 / 57	2.9	KMCK080
FBI 090 AH	294 / 340	81 / 83	2900 / 3440	0.34/0.4/0.23	0.23/0.35/0.21	61 / 65	3.2	KMCK090
FBI 100 AH	340 / 396	92 / 106	2870 / 3300	0.34/0.39/0.22	0.38/0.35/0.21	62 / 66	3.5	KMCK100
FBI 112 AH	460 / 544	94 / 112	2820 / 3150	0.33/0.37/0.21	0.38/0.35/0.21	63 / 66	3.8	KMCK112
FBI 132 AH	890 / 942	139 / 234	2650 / 2900	0.56/0.32/0.20	0.68/0.45/0.26	65 / 67	4.5	KMCK132
FBI 160 AH	1465 / 1753	172/ 350	2900 / 3400	0.61/0.48/0.28	1.11/0.52/0.29	72/ 75	7	KMCK160



Frame	FBI Type	Az	Ah	B	Bz	C	D	M	E	F	G	Gr	Hz	Hk	I	X	Code
FBI 063	63-2AH	121	121	153	138	60	93	78	M5	4.8x6	14	5	1.5	117	118	53	KMCK063
FBI 071	71-2 AH	136	136	153	138	60	93	78	M5	6x9	10	5	1.5	124	132	53	KMCK071
FBI 080	80-2 AH	154	154	156	141	63	93	78	M5	6x9	14	5	1.5	133	150	53	KMCK080
FBI 090	90-2 AH	174	174	161	141	60	101	81	M5	6x9	16	5	1.5	143	170	53	KMCK090
FBI 100	100-2 AH	192	192	166	146	65	101	81	M5	6x9	18	5	1.5	152	184	53	KMCK100
FBI 112	112-2 AH	216	216	171	151	70	101	81	M5	6x9	16	5	1.5	164	204	53	KMCK112
FBI 132	132-2 AH	255	255	185	160	75	110	85	M5	6x9	23	5	1.5	184	230	53	KMCK132
FBI 160	160-2 AH	307	307	243	218	95	148	123	M5	7x14	25	5	1.5	211	270	53	KMCK160

All data is subject to confirmation by RMS

