



2019

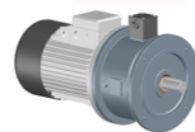
VIS

STANDARD

IEC 71 to 225 - NEMA 56 to 404

STANDARD

THE ALL NEW STANDARD



modular high performance brakes

When in 2004 we invented the first VIS patent pending line of modular brakes for hazardous areas, we simply introduced something that was missing at that time in the market.

The new "VIS Standard" line once again introduces a revolution in the power transmission market even in safe areas.

Why "standard"? Because VIS is simply defining the new standard in the brake motors sector.

The "VIS standard" is the answer for the requirement of flexibility and lean lead times of the modern market; it's is now possible to use a common IEC B5 or NEMA C face motor from stock applied to the "VIS standard" but not only...

Thanks to its extraordinary performances, the new VIS standard line introduces many improvements able to guarantee superior performances in any application.

ALL THE BEST FEATURES IN ONE STANDARD SOLUTION

Dust and water protection

A completely closed construction allows to get a fully protected brake against dust and water.

Aluminum frame for IEC 71 - 90 and cast iron frame for IEC 100 to 225 and NEMA

We chose the best possible materials able to guarantee light weight and extreme sturdiness in relation to the brakes frame sizes.

Thermally treated shafts as standard

Brake motors require sometimes high resistance shafts; we made it standard introducing the thermally treatment for all of our shafts.

Input voltage from 200 to 500 VAC all in one thanks to the all new power supply rectifier included in the terminal box

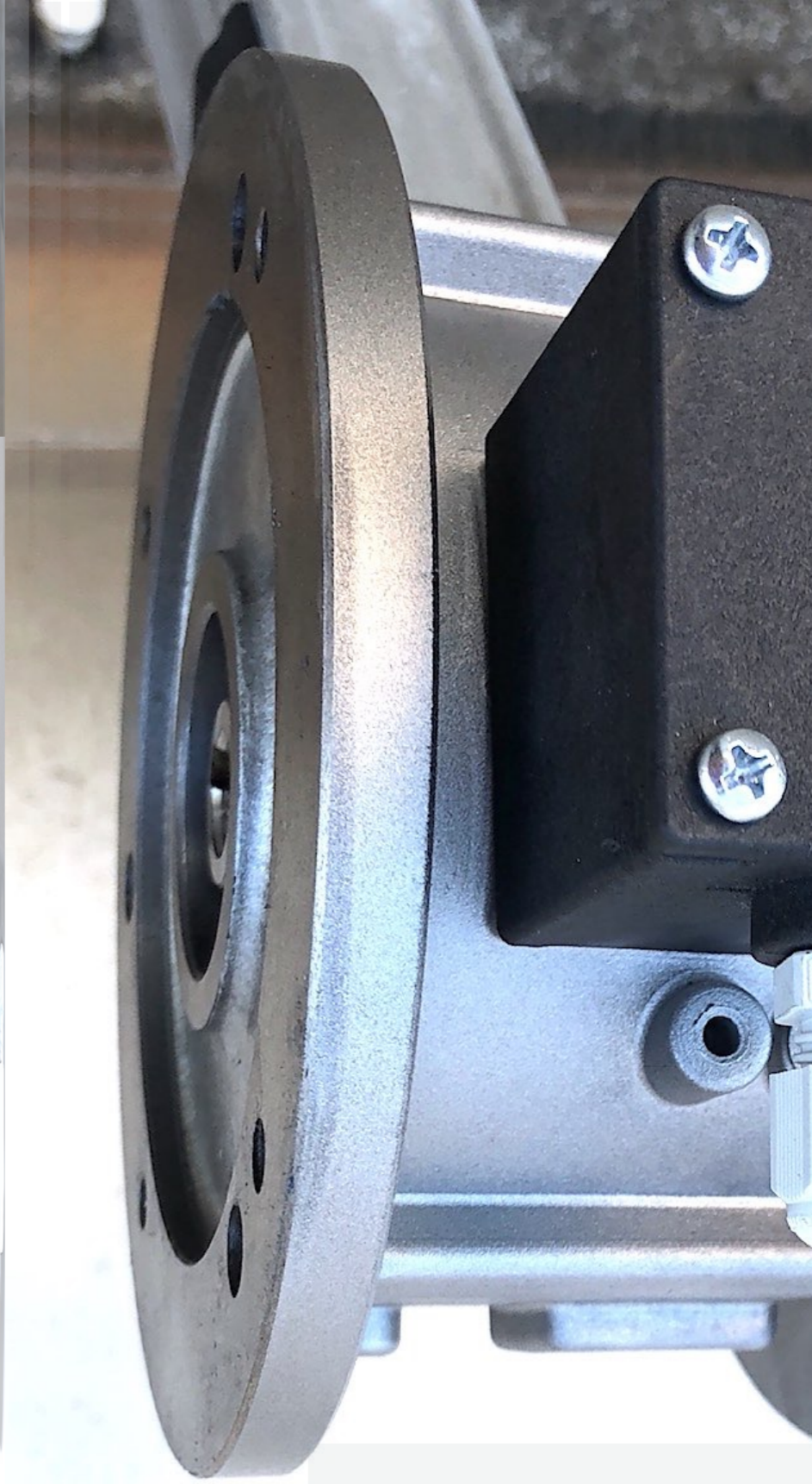
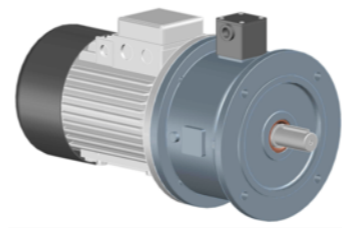
One brake, all voltages! We developed a new power supply rectifier able to get input voltage from 200 to 500 VAC maintaining the same output voltage. One brake for any voltage means reduced stock and immediate delivery to improve your sales.

Extremely low noise operation

More and more applications require low noise brake operation; we made it standard for all the "VIS standard" brakes.

Extra high durability of brake disc

We carefully studied a new friction material able to guarantee very low consumption and excellent braking coefficient both in cold and warm condition. It means longer brake life and constant operation performance.

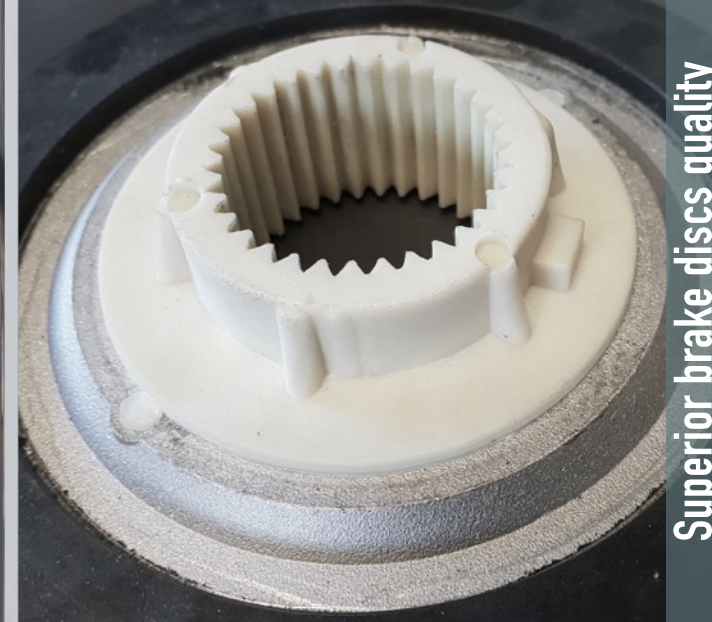


THE NEW STANDARD



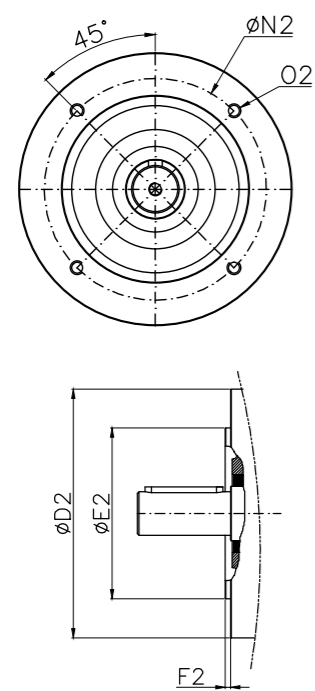
STANDARD IEC

low noise
High durability
Output IEC B5 or B14

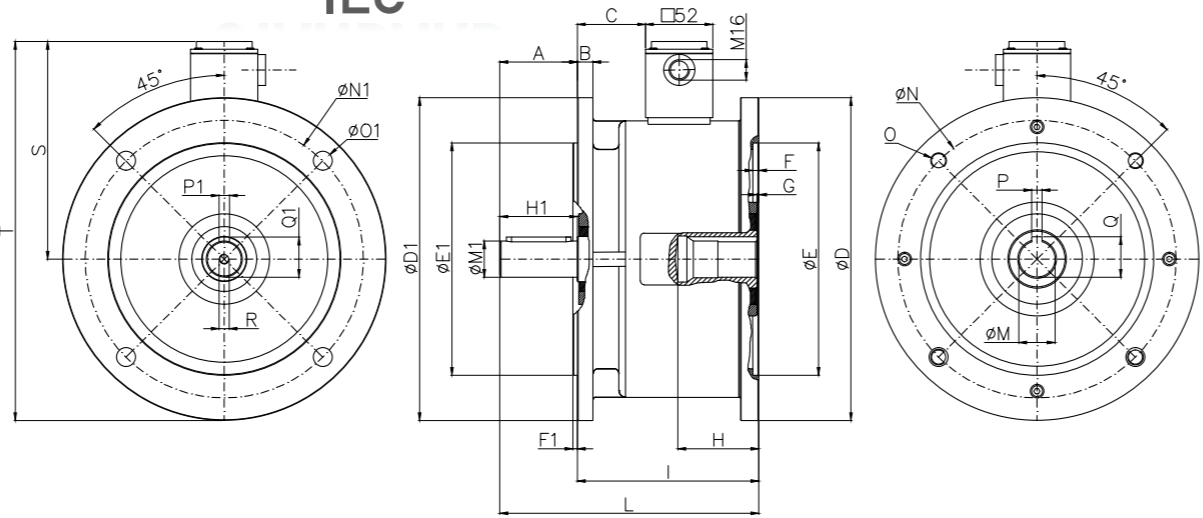


Superior brake discs quality

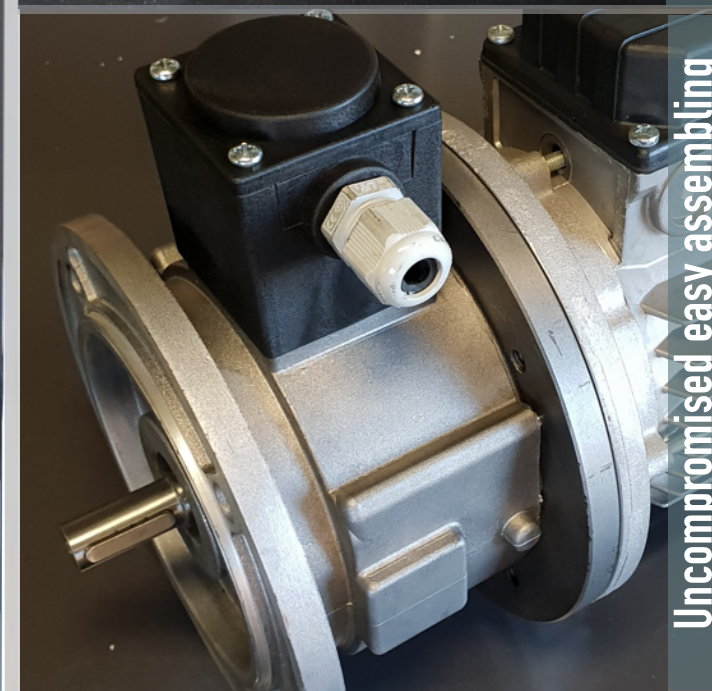
B14



B5



Available screws release
IP66
Thermally treated shaft
Modular
200 to 500 VAC all in one



Uncompromised easy assembling

Dimensions in mm

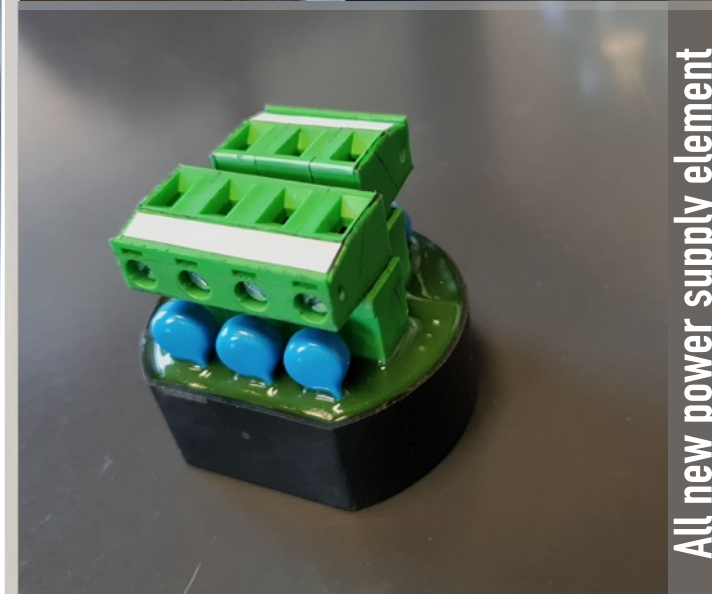
* j6 71 to 112 - k6 132 to 180 - m6 200 to 225

FR.	A	B	C	D	D1	E (H8)	E1 (h8)	G	F	F1	H	H1	I	L	M (E6)	M1 *	N	N1	O	O1	P	P1	Q	Q1	R	S	T	E2	D2	F2	N2	O2
71	30	9	26	160	160	110	110	1	4	3,5	33,5	30	92	122	14	14	130	130	M8	9,5	5	5	16,3	16	M4X10	120	200	70	105	2,5	85	M6
80	40	10	33,5	200	200	130	130	2	4	3,5	45	40	112,5	152,5	19	19	165	165	M10	11,5	6	6	21,8	21,5	M6X20	136,5	236,5	80	120	3	100	M6
90	50	10	33,5	200	200	130	130	2	4	3,5	54	50	112,5	162,5	24	24	165	165	M10	11,5	8	8	27,3	27	M6X20	136,5	236,5	95	140	3	115	M8
100	60	12	52,5	250	250	180	180	1,5	4,5	4	62,5	60	140	200	28	28	215	215	M12	14,5	8	8	31,3	31	M8X20	168,5	293,5	110	160	3,5	130	M8
112	60	12	52,5	250	250	180	180	1,5	4,5	4	62,5	60	140	200	28	28	215	215	M12	14,5	8	8	31,3	31	M8X20	168,5	293,5	110	160	3,5	130	M8
132	80	14	65,5	300	300	230	230	2	4,5	4	83	80	165	245	38	38	265	265	M12	14,5	10	10	41,4	41	M10X2	190,5	340,5	na	na	na	na	na
160	110	15	65,5	350	350	250	250	2	5,5	5	113	110	166	276	42	42	300	300	M16	18	12	12	45,4	45	M10X2	201,5	376,5	na	na	na	na	na
180	110	16	80	350	350	250	250	2	6	5	111	110	236	346	48	48	300	300	M16	18	14	14	51,8	51,5	M20	255	430	na	na	na	na	na
200	110	16	80	400	400	300	300	2	6	5	111	110	236	346	55	55	350	350	M16	18	16	16	59,3	59	M20	255	455	na	na	na	na	na
225	140	16	80	450	450	350	350	2	6	5	111	110	236	346	60	60	400	400	M16	18	18	18	64,3	64	M20	255	480	na	na	na	na	na

TECHNICAL SPECIFICATION

Frame	Nominal torque [Nm] +/-10%	Max. speed rpm	Input Power to rectifier Max (W)	Engagement time [ms]	Disengagement time [ms]	Max. switching power [kJ/h]	Max. switching energy [kJ]	Moment of inertia J [kgcm ²]	Kg
71	7	5000	40	50	50	270	30	2	5
80	12	3600	60	60	60	320	35	3	8,5
90	22	3600	60	60	60	320	35	3	8,5
100	40	3600	70	80	70	420	45	18	25
112	60	3600	70	80	70	420	45	18	25
132	120	3600	90	150	120	570	70	40	45
160	180	3600	90	150	120	570	70	40	60
180	300	2200	180	210	180	720	160	60	128
200	380	2200	180	210	180	720	160	78	134
225	460	2200	180	210	180	840	210	85	162

VIS VSTD



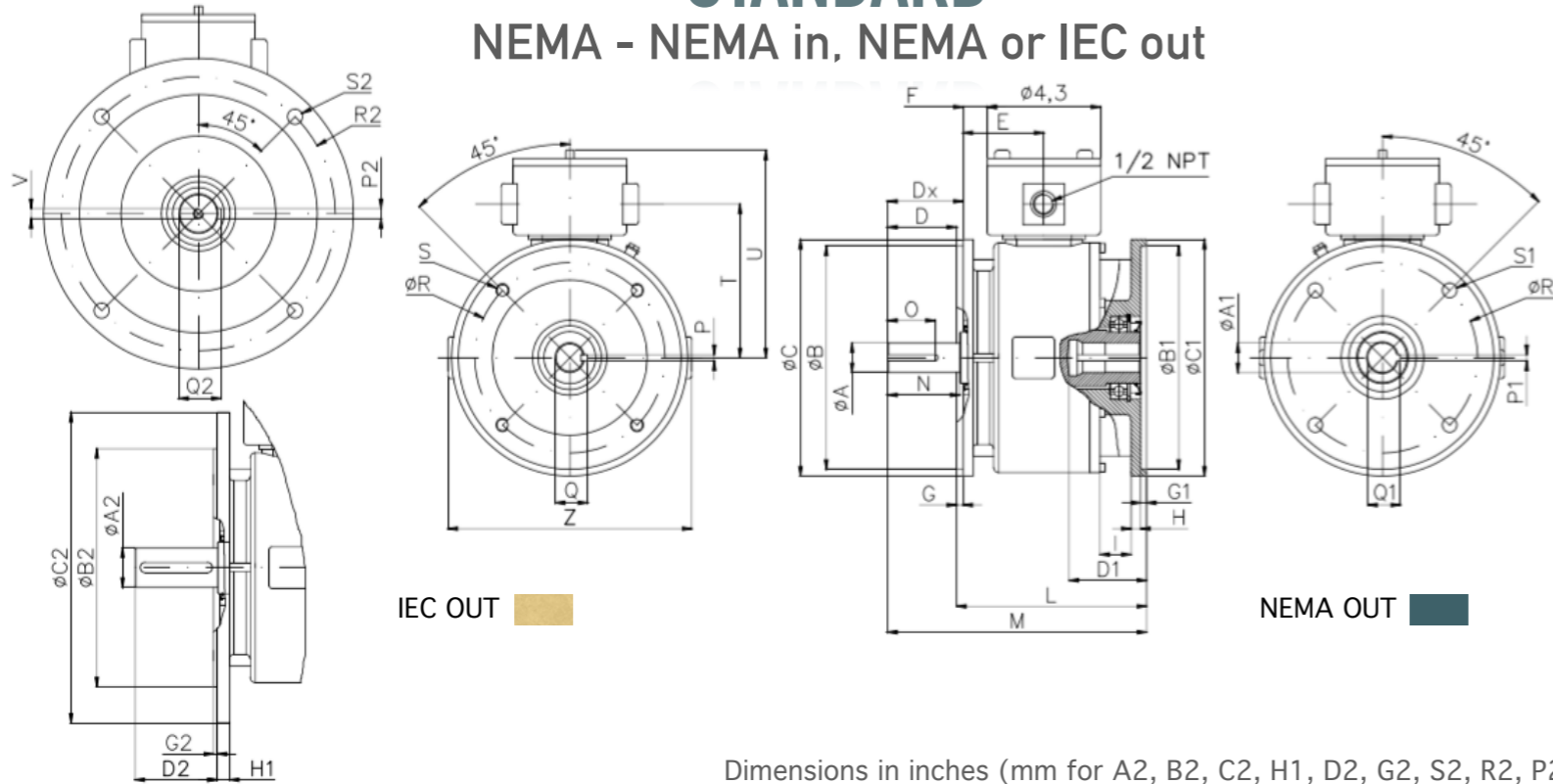
All new power supply element





STANDARD

NEMA - NEMA in, NEMA or IEC out



IEC OUT

NEMA OUT

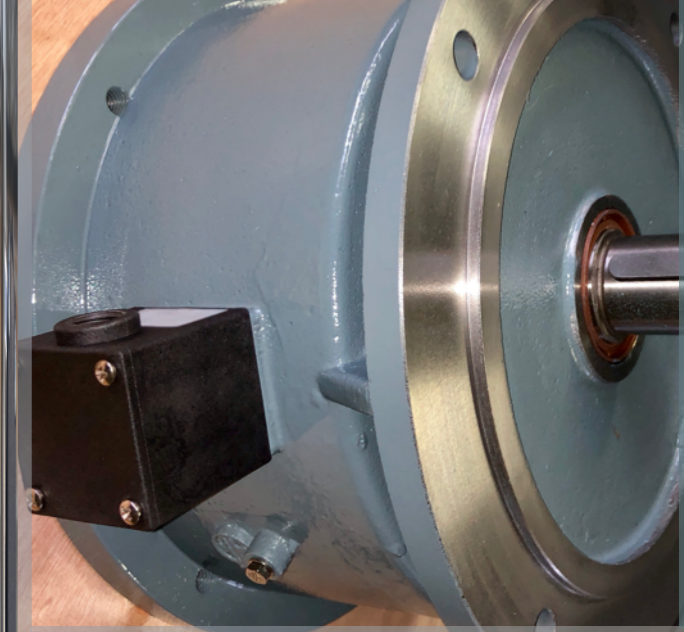
Dimensions in inches (mm for A2, B2, C2, H1, D2, G2, S2, R2, P2, Q2, V)

Frame	A	A1	A2	B	B1	B2	C	C1	C2	D	Dx	D1	D2	E	F	G	G1	G2	H	H1	I	L	M
56	5/8	5/8	-	4 1/2	4 1/2	-	6 1/2	6 1/2	-	-	2 1/16	2.2	-	2.5	0.3	1/8	0.19	-	0.19	-	0.6	5.54	7.48
143	7/8	7/8	19	4 1/2	4 1/2	130	6 1/2	6 1/2	200	-	2 1/8	2.3	40	2.5	0.3	1/8	0.19	3.5	0.19	11	0.6	5.54	7.54
182	1 1/8	1 1/8	28/38	8 1/2	8 1/2	180/230	9	9	250/300	2 5/8	-	3	60/80	3.1	0.9	1/4	0.22	4	0.37	12	1.2	7.24	9.24
213	1 3/8	1 3/8	28/38	8 1/2	8 1/2	180/230	9	9	250/300	3 1/8	-	3.4	60/80	3.1	0.9	1/4	0.22	4	0.37	12	1.2	7.24	10.24
254	1 5/8	1 5/8	38	8 1/2	8 1/2	230	10	10	300	3 3/4	-	4	80	3.1	1	1/4	0.22	4	0.37	15	1.2	7.93	10.93
284	1 7/8	1 7/8	42	10 1/2	10 1/2	250	11 1/4	11 1/4	350	4 3/8	-	4.6	110	4	1.9	1/4	0.22	5	0.4	15	1.3	9.23	13.23
324	2 1/8	2 1/8	55	12 1/2	12 1/2	300	13 3/8	13 3/8	400	5	-	5.4	110	4.5	2	1/4	0.22	5	0.72	27	1.8	11.84	16.84
364	2 3/8	2 3/8	-	12 1/2	12 1/2	-	13 3/8	13 3/8	-	5 5/8	-	5.9	-	4.5	2	1/4	0.22	-	0.72	-	1.8	11.84	17.46
404	2 7/8	2 7/8	-	12 1/2	12 1/2	-	13 7/8	13 7/8	-	7	-	7.2	-	4.5	2	1/4	0.22	-	0.72	-	1.8	11.84	18.84

Frame	N	O	P	P1	P2	Q	Q1	Q2	R	R1	R2	S	S1	S2	T	U	V	Z
56	1 7/8	1.4	3/16	3/16	-	33/64	0.714	-	5 7/8	5 7/8	-	3/8 - 16	0.43	-	4.7	6.5	-	7.1
143	2 1/4	1.4	3/16	3/16	6	49/64	0.965	21.5	5 7/8	5 7/8	165	3/8 - 16	0.43	11.5	4.7	6.5	M6	7.1
182	2 3/4	1.8	1/4	1/4	8/10	63/64	1.246	31/41	7 1/4	7 1/4	215/265	1/2 13 NC	0.55	14.5	5.8	7.6	M8/	9.3
213	3 3/8	2.45	5/16	5/16	8/10	1 13/64	1.527	31/41	7 1/4	7 1/4	215/265	1/2 13 NC	0.55	14.5	5.8	7.6	M8/	9.3
254	4	2.9	3/8	3/8	10	1 13/32	1.802	41	7 1/4	7 1/4	215/265	1/2 13 NC	0.55	14.5	6.4	8.2	M10	10.4
284	4 5/8	3.87	1/2	1/2	12	1 19/32	2.105	45	9	9	300	1/2 13 NC	0.55	18	7	8.8	M10	11.8
324	5 1/4	3.87	1/2	1/2	16	1 27/32	2.356	59	11	11	350	5/8 11NC	0.67	18	8.45	11	M20	-
364	5 7/8	3.87	5/8	5/8	-	2 1/64	2.657	-	11	11	-	5/8 11NC	0.67	-	8.45	11	-	-
404	7 1/4	5.7	3/4	3/4	-	2 29/64	3.215	-	11	11	-	5/8 11NC	0.67	-	8.45	11	-	-

low noise
High durability
Output NEMA C

Thermally treated shaft
200 to 500 VAC all in one
Modular



All cast iron frame for nema version



Uncompromised easy assembling



Class II Div. 2 Group E,F,G

Uncompromised reliability



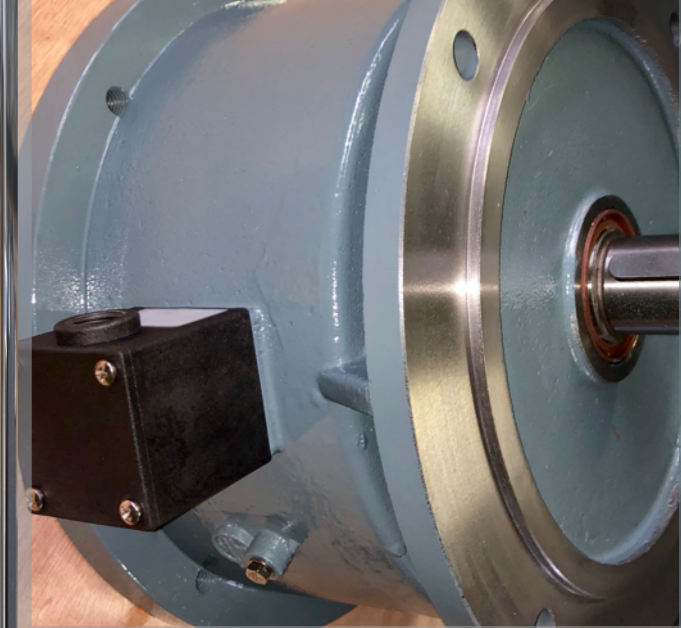


STANDARD

NEMA - NEMA in, NEMA or IEC out

low noise
High durability
Output NEMA C

Thermally treated shaft
200 to 500 VAC all in one



All cast iron frame for nema version

TECHNICAL SPECIFICATION

Frame	Nominal torque [Nm] +/-10%	Max. speed rpm	Input Power to rectifier Max (W)	Engagement time [ms]	Disengagement time [ms]	Max. switching power [kJ/h]	Max. switching energy [kJ]	Moment of inertia J [kgcm ²]	Kg
56	12	3600	60	60	50	320	35	3	13
143	22	3600	60	60	60	320	35	3	13
182	50	3600	70	80	80	420	45	18	25
213	80	3600	70	80	70	420	45	18	25
254	160	3600	70	80	70	420	45	18	45
284	240	3600	90	150	120	570	70	40	55
324*	350	2200	210	160	140	620	120	50	130
364*	650	2200	210	160	140	710	120	65	135
404*	750	2200	220	160	140	710	160	75	150

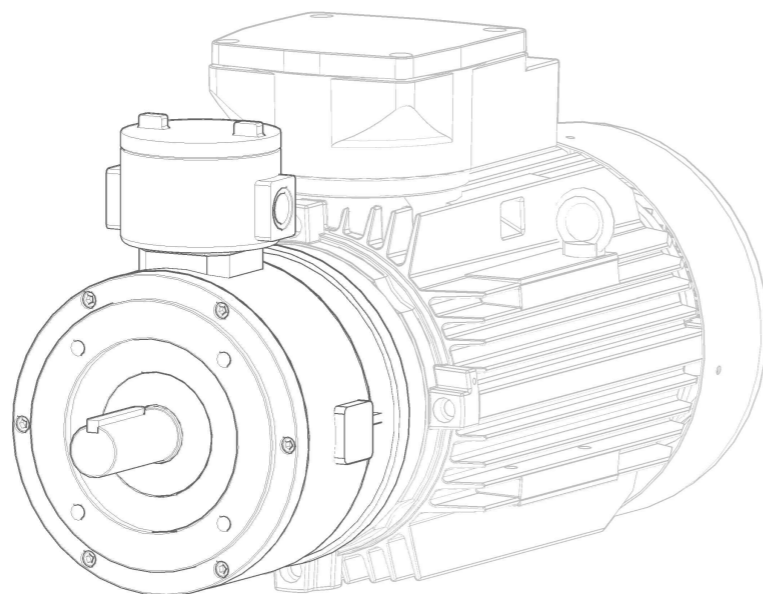
VIS VSTDN

Modular



Uncompromised easy assembling

* single voltage only to be specified in phase of order



VIS VIE VIE VIE VIE VIE VIE



Class II Div. 2 Group E,F,G

Uncompromised reliability



VIS a brand of COEL MOTORI s.r.l. - www.coel-is.com

Features are not binding and Coel Motori reserves to effect modifications or improvements for commercial and technical reasons at any moment and without notice

Nov. 2019 r1